

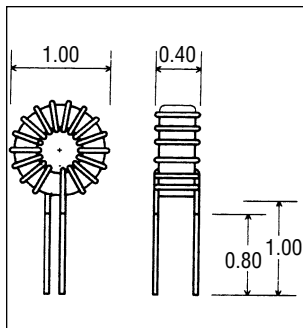
CTP4408 is a medium current inductor with the following data and features:

- **Core type:** 0.80" o.d., Iron Powder, perm 75.
  - **Power rating:** 1.2 watts for temp. rise 50°C.
  - **Typical applications:** Input and output filters in Switch Mode Power Supplies.
- Four mounting styles are offered:**
- 1 Flying leads (1.00"), for vertical or horizontal mounting.
  - 2 4-pin header, for vertical mounting.
  - 3 Threaded center hole, flying leads (2.00").
  - 4 2-pin header, for vertical mounting.

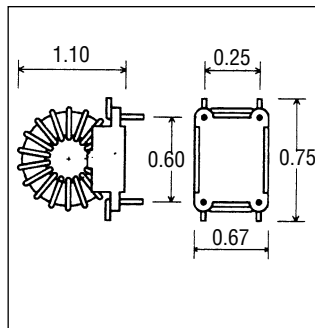


### MECHANICAL

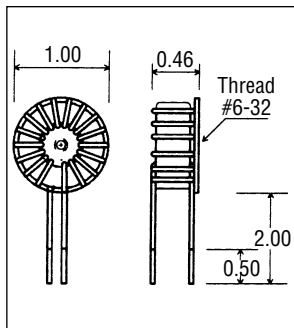
Style 1



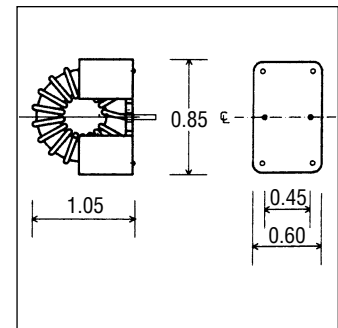
Style 2



Style 3



Style 4



### ELECTRICAL SPECIFICATION

**Ordering Information:** Substitute the style number for the asterisk (\*). Example: CTP4408, Style 1, 56uH. Order: CTP4408 - 116

| Part No.<br>CTP4408 - | Inductance<br>(uH) | DCR<br>Ohms | Rated Current<br>Amp. RMS | I (amp.)<br>@ Lsat. 10% | I (amp.)<br>@ Lsat. 25% | I (amp.)<br>@ Lsat. 50% |
|-----------------------|--------------------|-------------|---------------------------|-------------------------|-------------------------|-------------------------|
| * 01                  | 3.3                | 0.006       | 13.9                      | 6.2                     | 12.4                    | 24.9                    |
| * 02                  | 3.9                | 0.007       | 13.4                      | 5.7                     | 11.4                    | 22.9                    |
| * 03                  | 4.7                | 0.007       | 12.8                      | 5.2                     | 10.4                    | 20.9                    |
| * 04                  | 5.6                | 0.008       | 12.3                      | 4.8                     | 9.6                     | 19.1                    |
| * 05                  | 6.8                | 0.009       | 11.7                      | 4.3                     | 8.7                     | 17.3                    |
| * 06                  | 8.2                | 0.010       | 11.2                      | 3.9                     | 7.9                     | 15.8                    |
| * 07                  | 10                 | 0.010       | 10.7                      | 3.6                     | 7.1                     | 14.3                    |
| * 08                  | 12                 | 0.011       | 10.2                      | 3.3                     | 6.5                     | 13.1                    |
| * 09                  | 15                 | 0.013       | 9.7                       | 2.9                     | 5.8                     | 11.7                    |
| * 10                  | 18                 | 0.014       | 9.3                       | 2.7                     | 5.3                     | 10.7                    |
| * 11                  | 22                 | 0.015       | 8.8                       | 2.4                     | 4.8                     | 9.6                     |
| * 12                  | 27                 | 0.017       | 8.4                       | 2.2                     | 4.4                     | 8.7                     |
| * 13                  | 33                 | 0.019       | 8.0                       | 2.0                     | 3.9                     | 7.9                     |
| * 14                  | 39                 | 0.020       | 7.7                       | 1.8                     | 3.6                     | 7.2                     |
| * 15                  | 47                 | 0.022       | 7.3                       | 1.6                     | 3.3                     | 6.6                     |
| * 16                  | 56                 | 0.024       | 7.0                       | 1.5                     | 3.0                     | 6.0                     |
| * 17                  | 68                 | 0.034       | 6.0                       | 1.4                     | 2.7                     | 5.5                     |
| * 18                  | 82                 | 0.047       | 5.1                       | 1.2                     | 2.5                     | 5.0                     |
| * 19                  | 100                | 0.052       | 4.8                       | 1.1                     | 2.3                     | 4.5                     |
| * 20                  | 120                | 0.071       | 4.1                       | 1.0                     | 2.1                     | 4.1                     |
| * 21                  | 150                | 0.100       | 3.5                       | 0.9                     | 1.8                     | 3.7                     |
| * 22                  | 180                | 0.138       | 2.9                       | 0.8                     | 1.7                     | 3.4                     |
| * 23                  | 220                | 0.193       | 2.5                       | 0.8                     | 1.5                     | 3.0                     |
| * 24                  | 270                | 0.267       | 2.1                       | 0.7                     | 1.4                     | 2.8                     |

CTP4408